

GERMAN WWII FIGHTER 1:72 SCALE PLASTIC KIT



eduard

intro

ProfiPACK



The second half of the Second World War saw the Focke-Wulf Fw190, in its various forms, emerge as the best of what was available to the Luftwaffe. The dedicated fighter version was a high performance, heavily armed machine. Its development had a precarious beginning, against a 1938 specification issued by the Technisches Amt, RLM. The first prototype took to the air on June 1, 1939. After a series of improvements and even radical changes, the design culminated in the fall of 1940 in the pre-series version Fw190A-0 to the tune of twenty-eight pieces. Six of these were retained by the test unit Erprobungsstaffel 190 at Rechlin, which was tasked with conducting service trials. These revealed a wide range of flaws to the point where the RLM halted further development. Despite this, on the basis of urgings from the test unit staff, the aircraft was not shelved. After a series of some fifty modifications, the RLM gave the go ahead for the Fw190 to be taken into inventory of the Luftwaffe. In June, 1941, the Luftwaffe accepted the first of 100 ordered Fw190A-1s, armed with four 7.9mm MG17s. By September, 1941, II/JG 26 was completely equipped with the type, operating on the Western Front. November saw the production of the next version Fw190A-2, powered by a BMW801C-2, and armed with two 7.9mm MG17s and two MG151s of 20mm caliber in the wings. Part of this series received an additional pair of 20mm MG FFs, thus attaining an armament standard of later types. A significant advancement to the design came in the spring of 1942, when the BMW801D-2 became available, whose installation gave birth to the Fw190A-3. July saw the development of the improved A-4. Both were armed with what became the standard two fuselage mounted MG17s, two wing mounted MG 151 cannon, and two MG FF cannon, placed inboard of the wheel wells. During 1942, production had intensified, and a production facility was set up under license at Fieseler. Thanks in part to this, production rose in 1942 to 1,878 units as opposed to 224 in 1941. Large-scale production of the A-5 was initiated in April, 1943, with an identical wing to the A-4, but with a nose extension that would become standard on all subsequent Fw-190A versions up to the A-9, and also on the corresponding F types. July saw the development of a new, strengthened wing, which incorporated MG151s instead of the MG FFs in the outer position. The adoption of this wing developed the A-6 version. Further changes developed the A-7, produced during the end of 1943. This version came about with the replacement of the fuselage mounted MG 17s with 13mm MG 131s. Further improvements led to the Fw190A-8, and this version became the most widely produced with some 1400 units made. The most significant change to this variant was the installation of the GM-1 nitrous-oxide injection system, for temporary power boost in combat. A portion of A-8 production was built as the A-8/R2 and A-8/R8, armed with MK108 cannon in the outer wing location, and with armoured slabs added to the cockpit sides and a modified canopy. The final production version of the BMW801 powered fighter was the Fw190A-9, equipped with the BMW801TS of 2000hp (1470kW). There was a parallel development of these fighter optimized aircraft with a dedicated fighter-bomber version, the Fw190F. These aircraft had reduced wing armament to two MG 151 cannon in the wingroot position. The engine was optimized for low level operation, and the armament options varied to satisfy the ground attack role, including bombs of various weight classes and a variety of anti-tank rockets. This branched into the extended range Fw190G version. Development of the thoroughbred fighter continued in the guise of the Fw 190D, which began to reach Luftwaffe units in the second half of 1944, and was the result of mounting an in-line Jumo 213A-1 engine into a modified Fw190A-8 airframe. Although the Fw 190 never achieved the widespread usage of the competing Bf 109, its contribution to the German Air Force was certainly significant through the second half of WWII. Fw 190s saw service on the Western Front as well as in the East. As heavy fighters with imposing firepower, they found themselves integral components, from 1943 onwards, within the units tasked with the protection of the Reich from the ominous clouds of allied four-engine bombers. This is where the A-8 version was instrumental, along with its A-8/R2 armoured development. This version, with its firepower, was a very ominous and daunting foe for the bomber crews. From the second half of 1944, their danger was kept in check to a degree by escorting P-47s, and necessitated the development of the P-51 Mustang.

ATTENTION



UPOZORNĚNÍ



ACHTUNG



ATTENTION



注意



Carefully read instruction sheet before assembling. When you use glue or paint, do not use near open flame and use in well ventilated room. Keep out of reach of small children. Children must not be allowed to suck any part, or pull vinyl bag over the head.



Před započítím stavby si pečlivě prostudujte stavební návod. Při používání barev a lepidel pracujte v dobře větrané místnosti. Lepidla ani barvy nepoužívejte v blízkosti otevřeného ohně. Model není určen malým dětem, mohlo by dojít k požití drobných dílů.

INSTRUCTION SIGNS * INSTR. SYMBOLS * INSTRUKTION SINNBILDEN * SYMBOLES * 記号の説明

OPTIONAL
VOLBABEND
OHNOUTOPEN HOLE
VYVRTAT OTVORSYMMETRICAL ASSEMBLY
SYMETRICKÁ MONTÁŽNOTCH
ZÁREZREMOVE
ODRÍZNOUTAPPLY EDUARD MASK
AND PAINT
POUŽÍ EDUARD'S MASK
NABARVIT

PARTS



DÍLY



TEILE



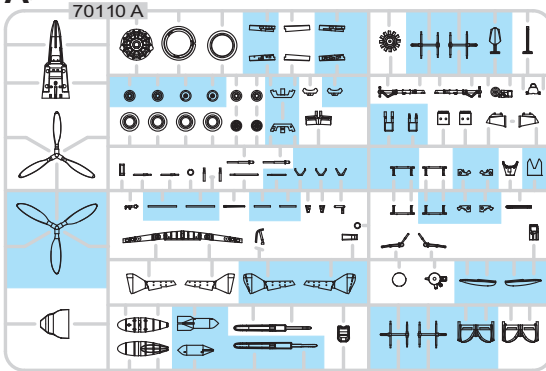
PIĚCES



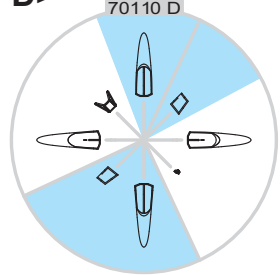
部品

PLASTIC PARTS

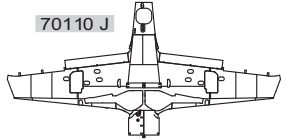
A>



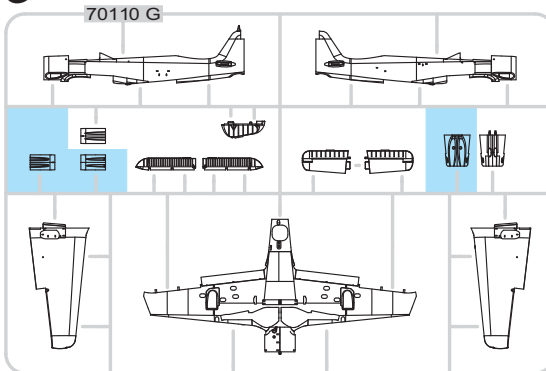
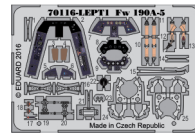
D>



J>



G>

eduard
MASKPE - PHOTO ETCHED
DETAIL PARTS

-Parts not for use. -Teile werden nicht verwendet. -Pièces à ne pas utiliser. -Tyto díly nepoužívejte při stavbě. - 使用しない部品

COLOURS



BARVY



FARBEN



PEINTURE



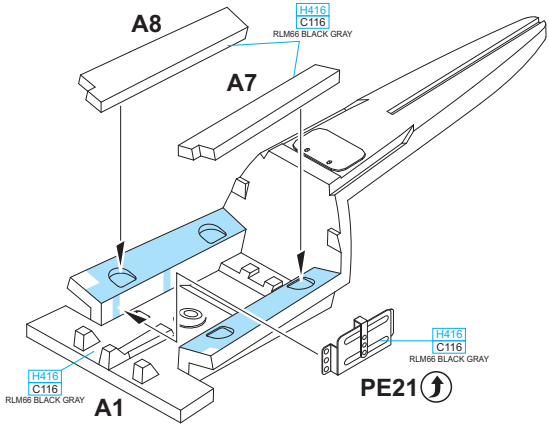
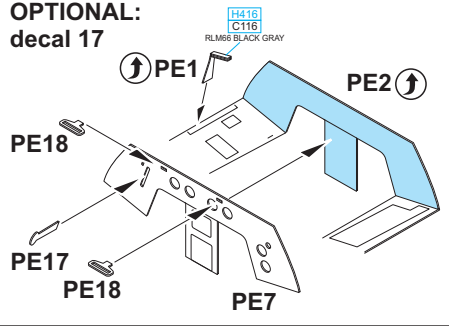
色

GSI Creos (GUNZE)			
AQUEOUS	Mr.COLOR		
[H2]	[C2]	BLACK	
[H3]	[C3]	RED	
[H4]	[C4]	YELLOW	
[H11]	[C62]	FLAT WHITE	
[H12]	[C33]	FLAT BLACK	
[H33]	[C81]	RUSSET	
[H47]	[C41]	RED BROWN	
[H61]	[C17]	DARK GREEN	RLM71
[H65]	[C18]	BLACK GREEN	RLM70
[H88]	[C36]	DARK GRAY	RLM74

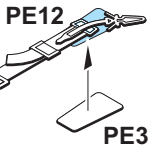
AQUEOUS	Mr.COLOR		
[H59]	[C37]	GRAY	RLM98
[H70]	[C60]	GRAY	
[H77]	[C137]	TIRE BLACK	
[H16]	[C16]	BLACK GRAY	RLM96
[H17]	[C117]	LIGHT BLUE	RLM76
Mr.COLOR SUPER METALLIC			
[SM6]		CHROME SILVER	
Mr.METAL COLOR			
[MC213]		STAINLESS	
[MC214]		DARK IRON	

A

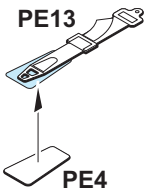
**OPTIONAL:
decal 17**



B



C



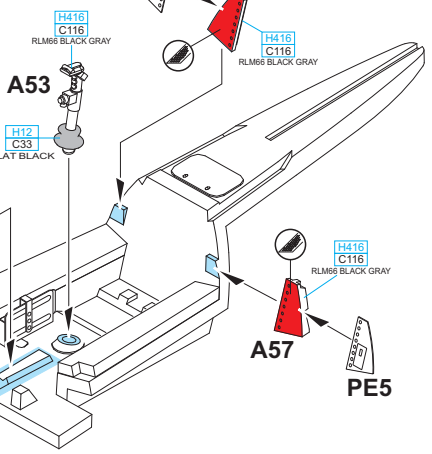
B



**H416
C116
RLM66 BLACK GRAY**

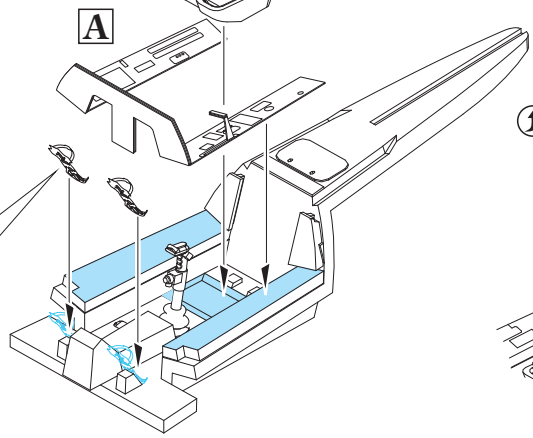
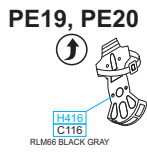
**H12
C33
FLAT BLACK**

**H416
C116
RLM66 BLACK GRAY**



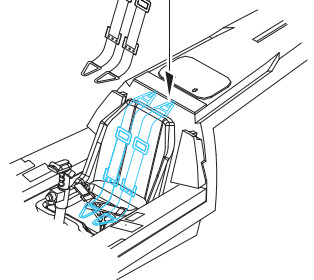
D

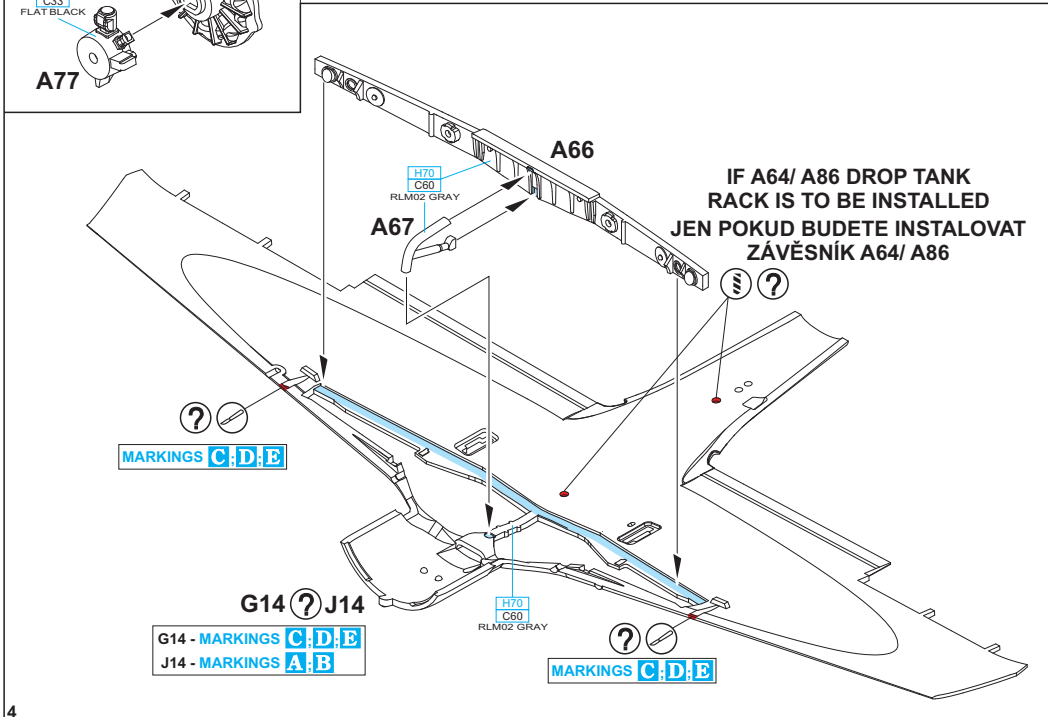
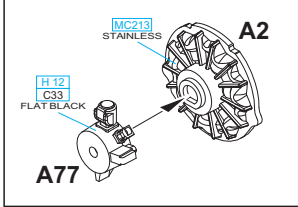
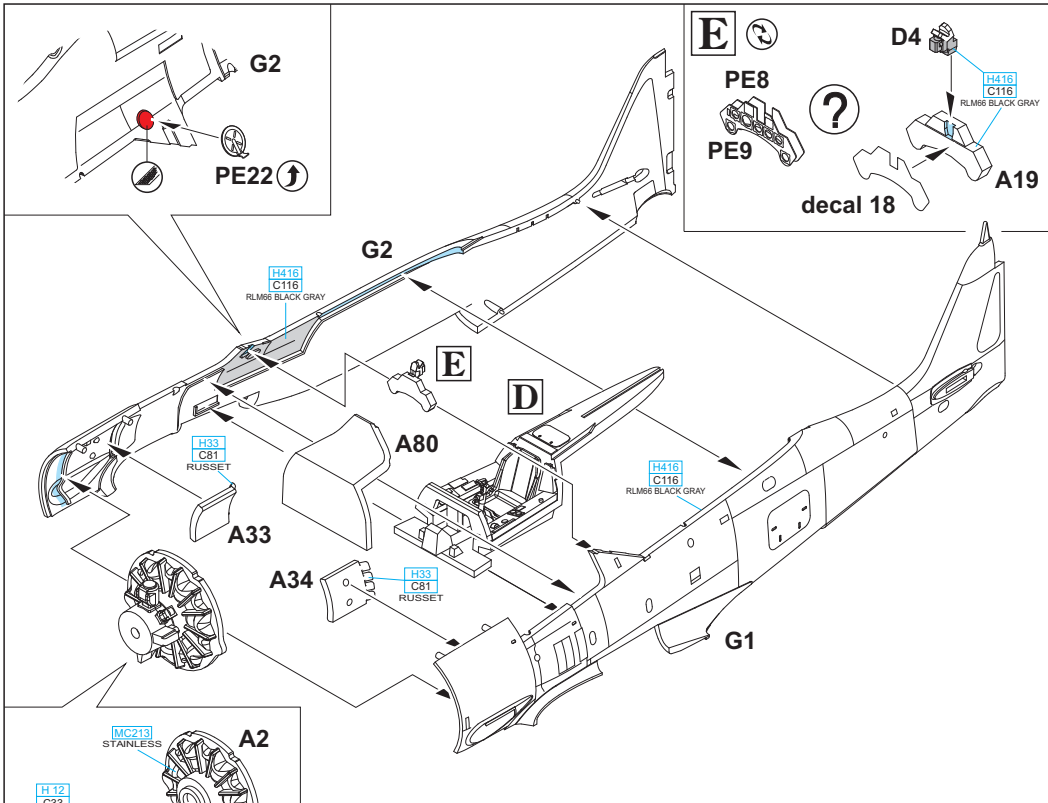
2 pcs.



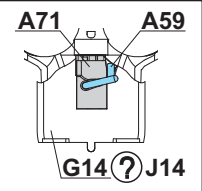
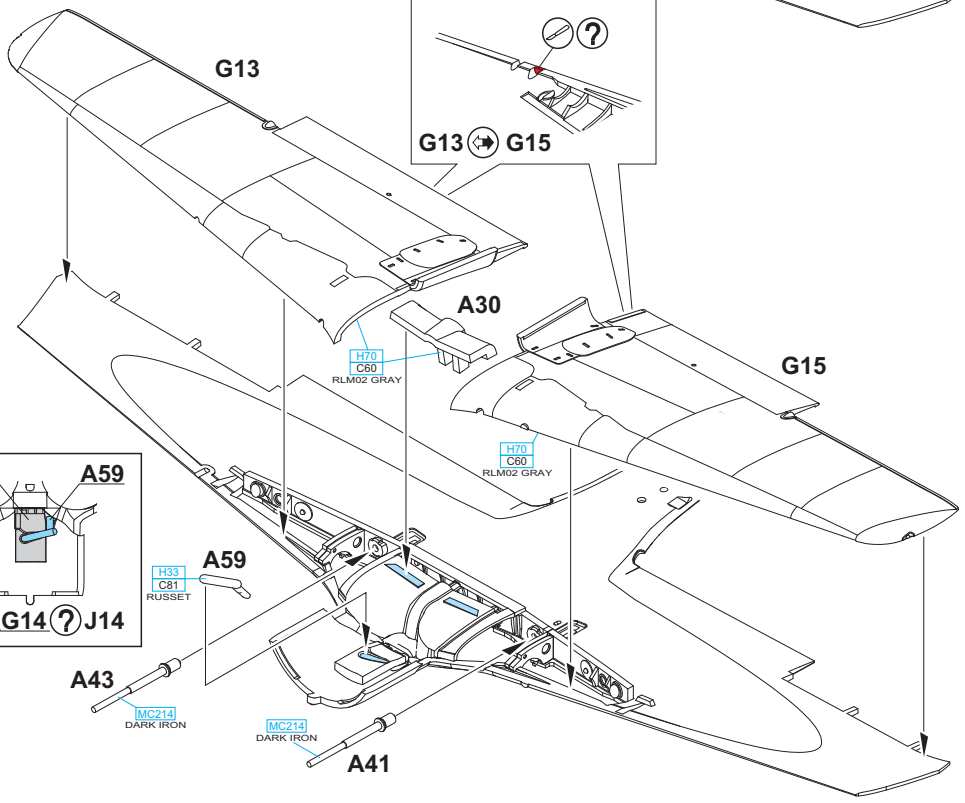
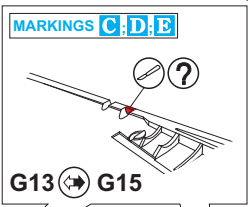
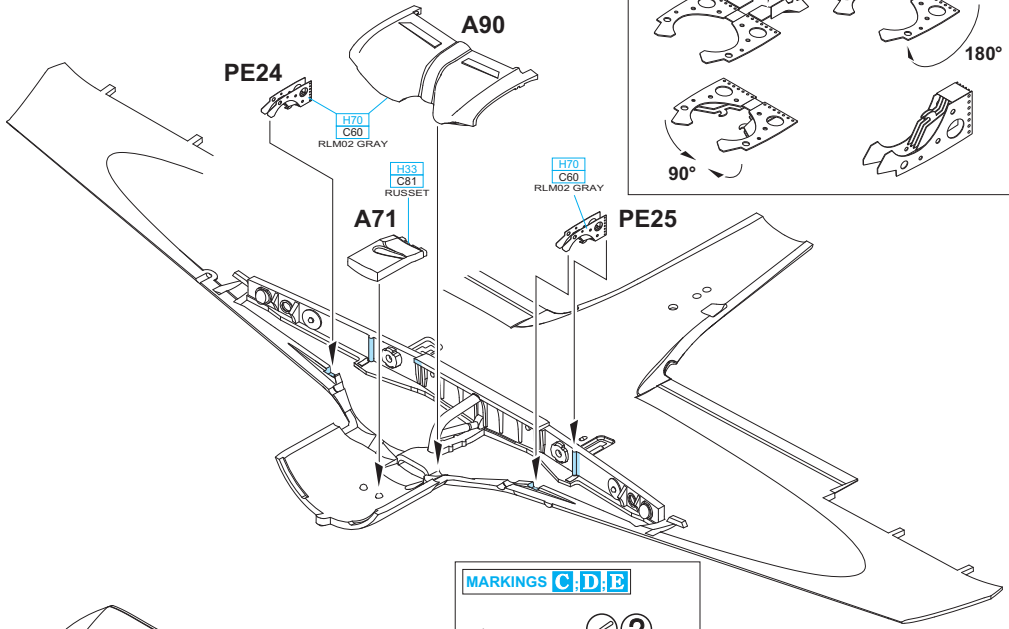
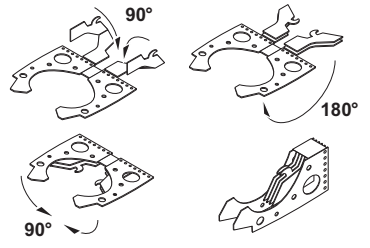
PE10

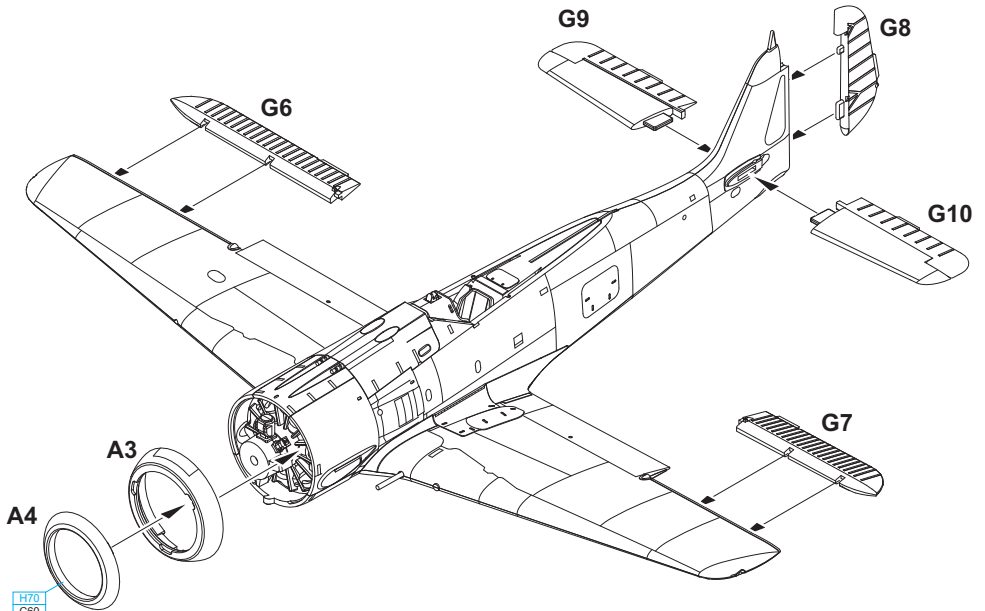
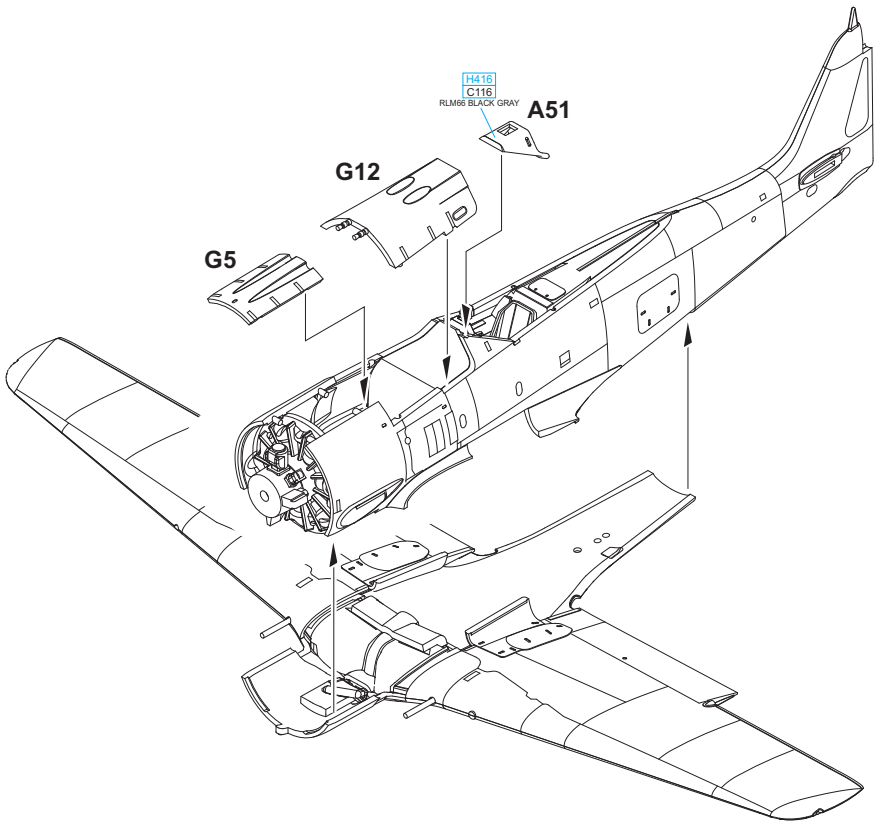
PE11

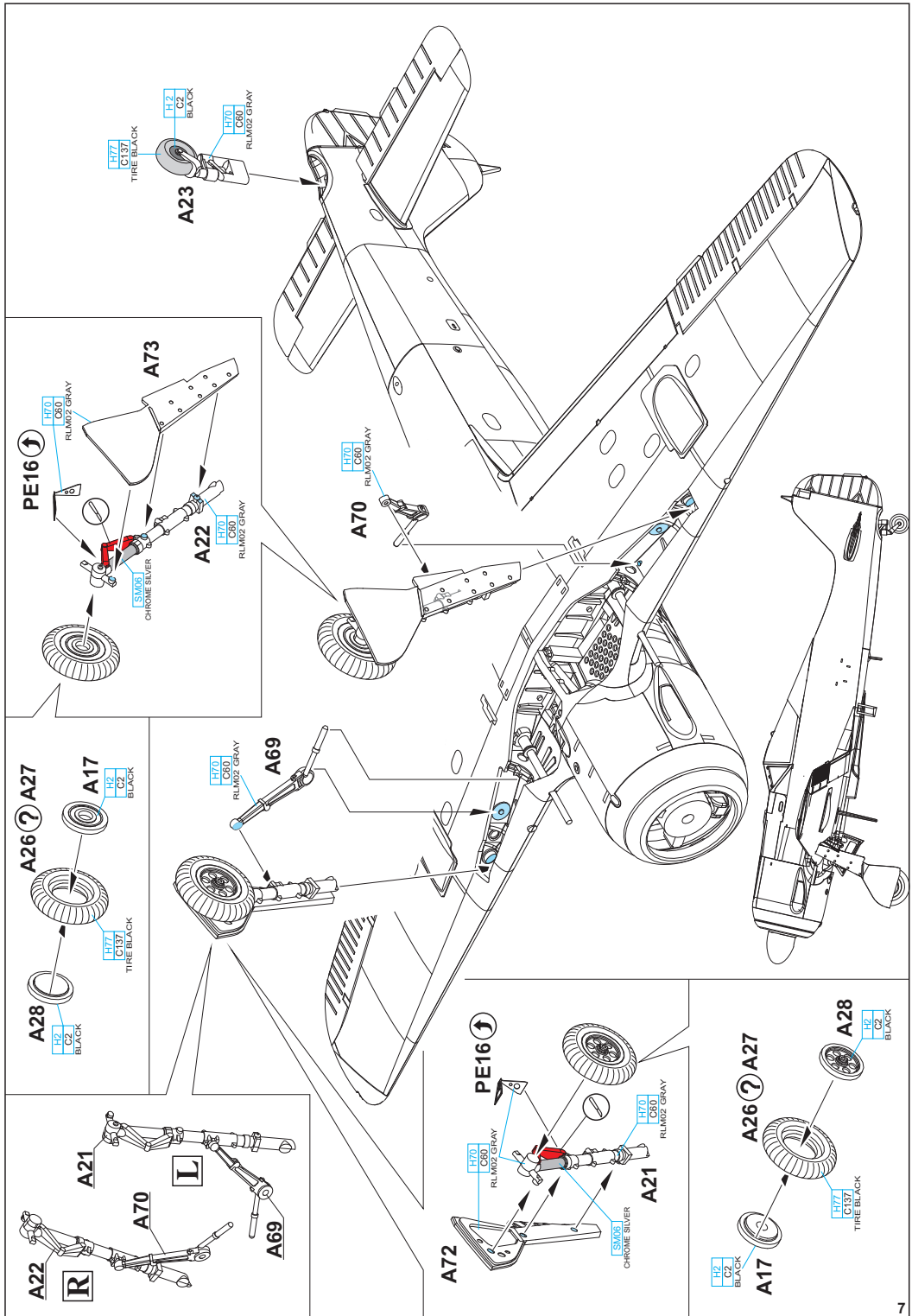


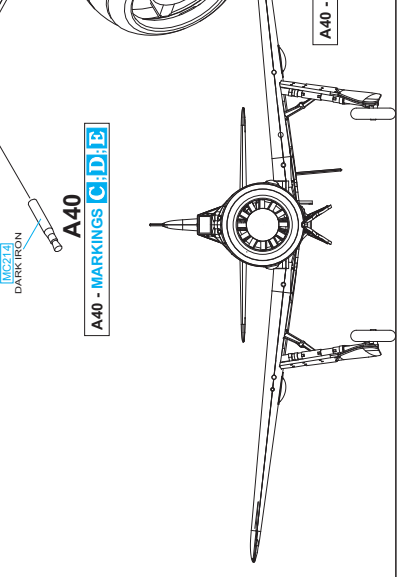
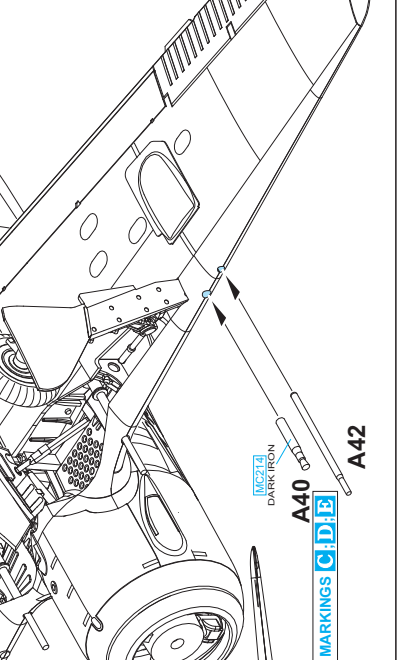
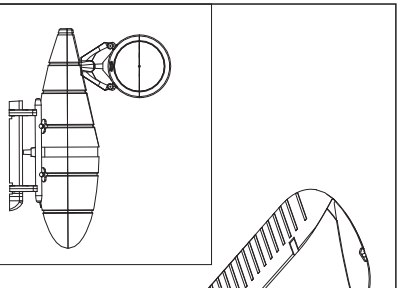
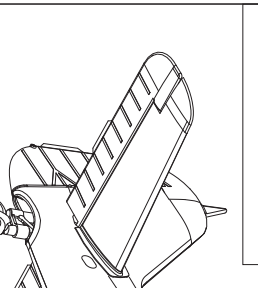
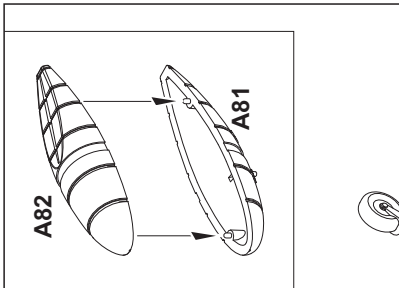
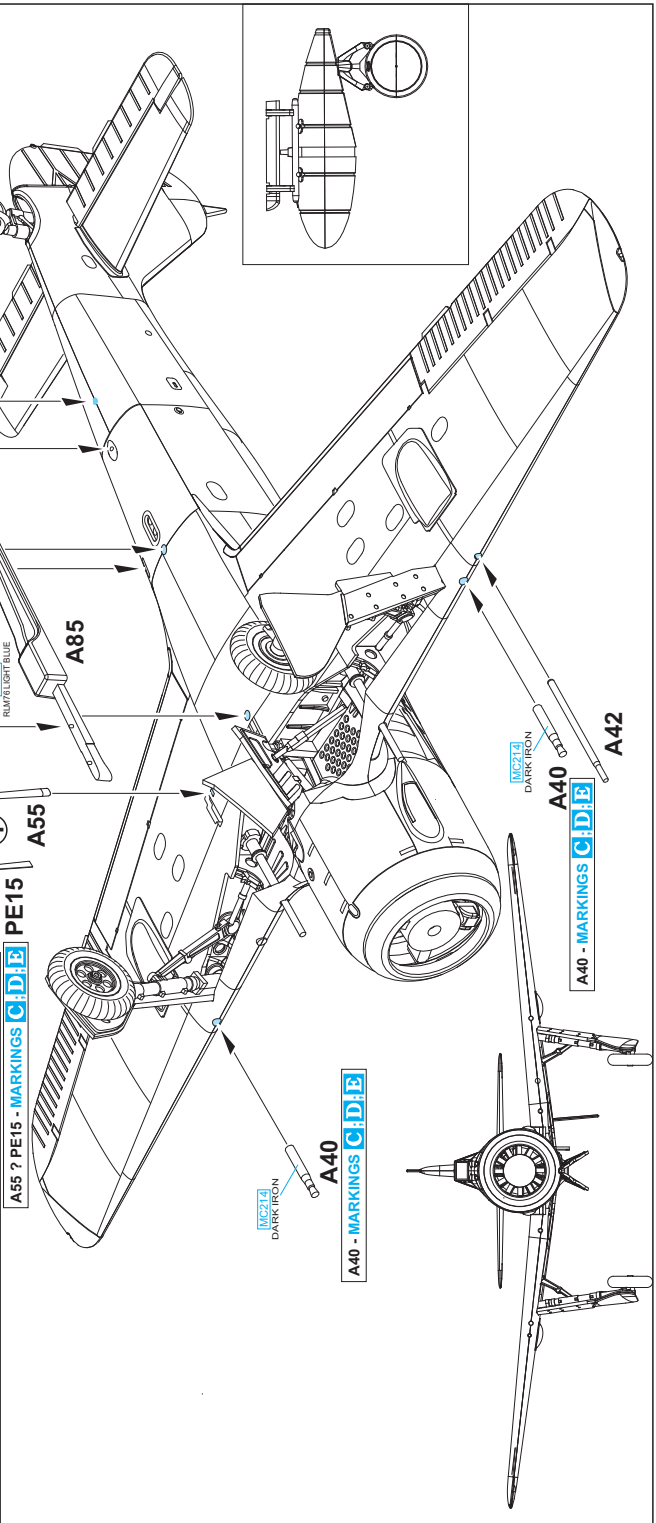
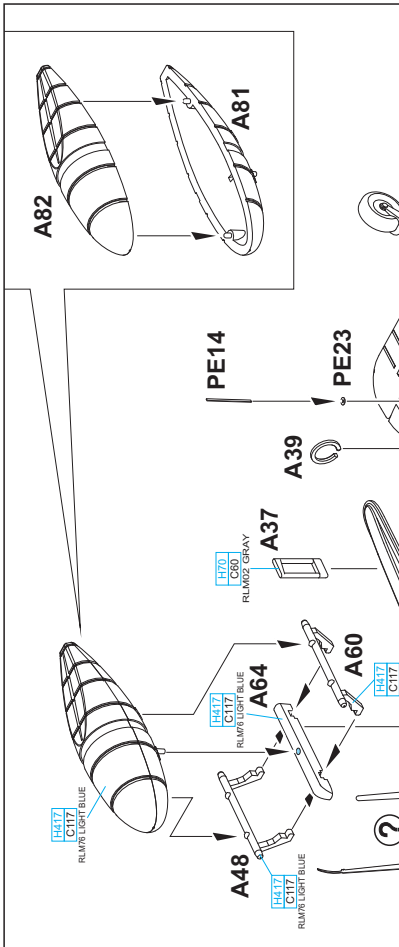
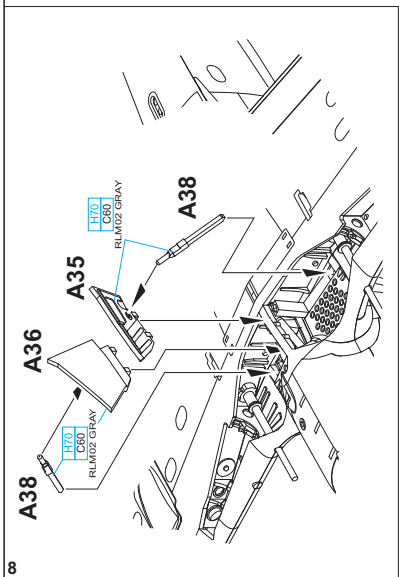


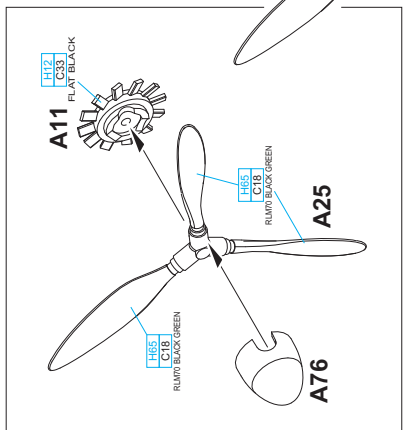
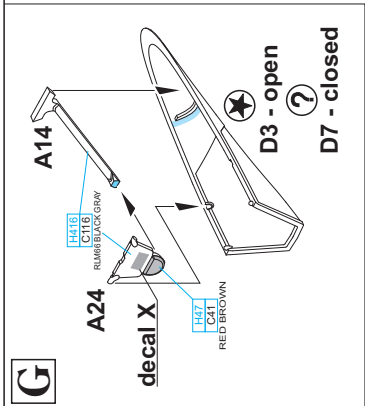
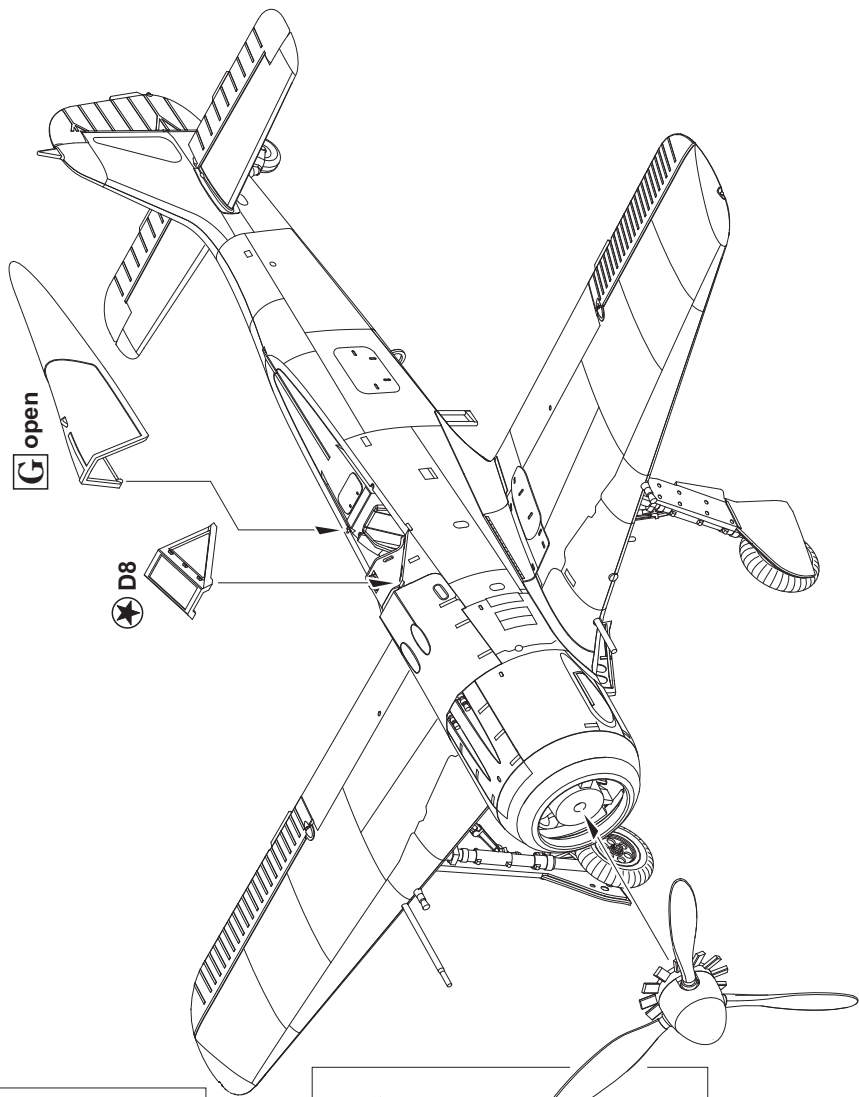
PE24   PE25



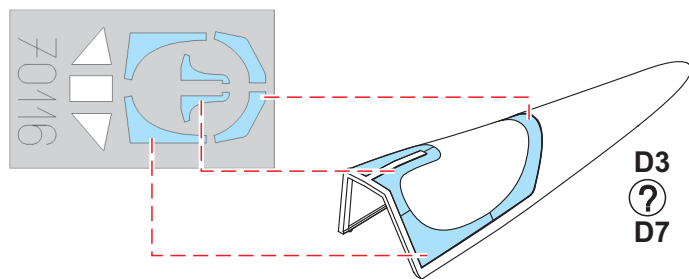
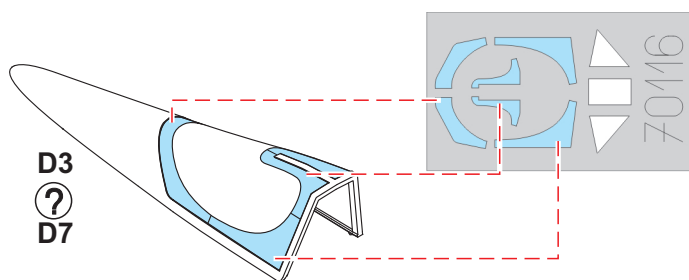
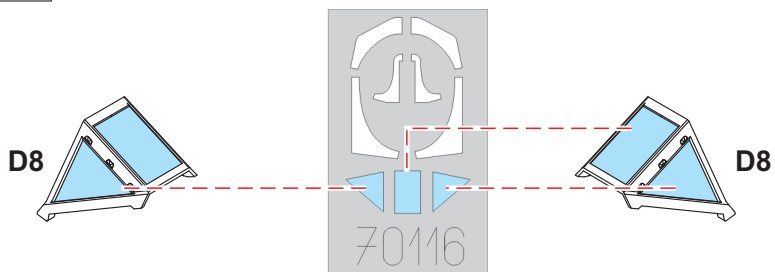








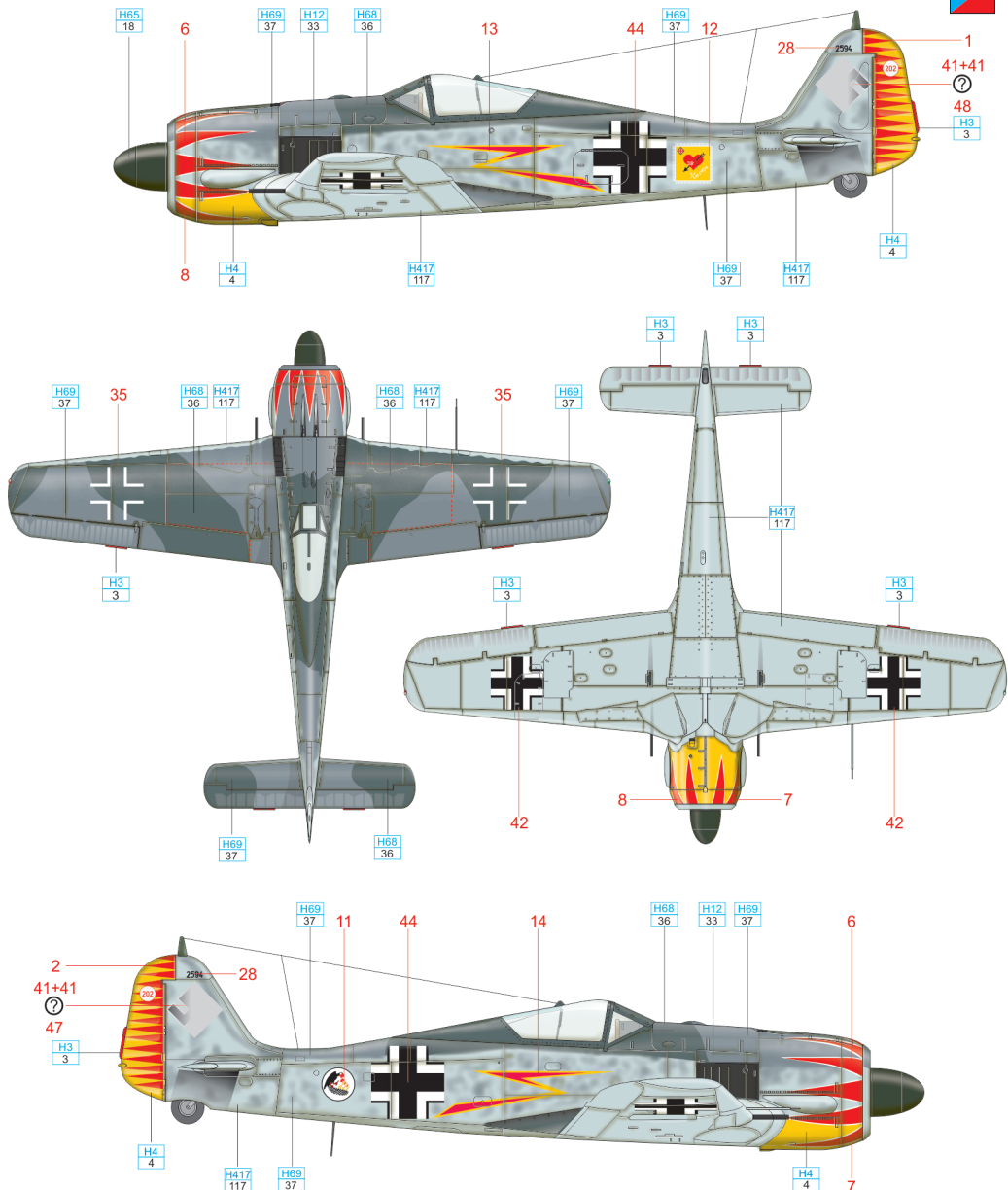
70116



A W.Nr. 2594, Flown by Maj. Hermann Graf, CO of JGr Ost, Bordeaux, France, Spring, 1943

Hermann Graf was credited with 212 kills, 202 of them over the Eastern Front. He was awarded the Knight Cross with Oak Leaves, Swords and Diamonds on September 16, 1942 for 172 kills. Graf flew this colorful aircraft in the spring of 1943 when he served as the CO of Jagdgruppe Ost, a training unit. The unit crest – a bird teaching fledglings – is painted on the right side of the fuselage. The numeral on the rudder represents Graf's score. He would add ten more while serving with JGr 50 and JG 11. The appearance of this aircraft gradually changed and even included the U7 kit.

ČESKOU VERZI TEXTU NALEZNETE NA
www.eduard.com/s/70116

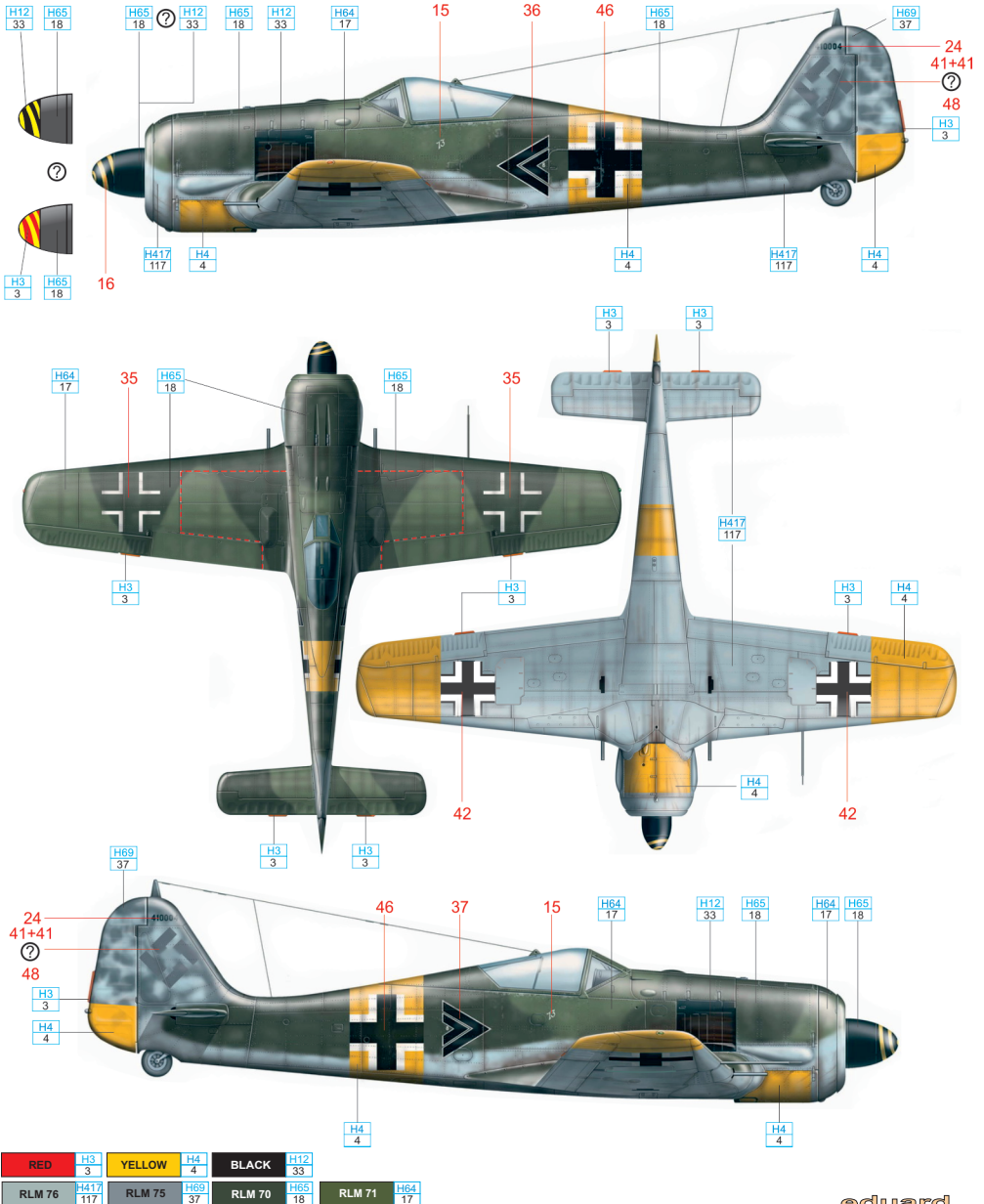


RED	H3 3	WHITE	H11 62	BLACK	H12 33	YELLOW	H4 4
RLM 76	H417 117	RLM 75	H69 37	RLM 74	H68 36	RLM 70	H65 18

B Hptm. Walter Nowotny, CO of I./JG 54 Grünherz, Orel, Fall 1943

An Austrian, Walter Nowotny, joined JG54 in 1941. He commanded the 1st Staffel from October, 1942, and in August of 1943 was nominated to command I./JG 54. He achieved 256 aerial victories on the Eastern Front, with another 20 unconfirmed. From early 1944, he commanded JG 101, a training unit in France. In September, 1944, he was tasked with forming Erprobungskommando Nowotny (III./JG 6), a test unit equipped with the new Me 262 jet fighters. Flying an Me 262, he was killed in action on November 8th, 1944. He flew 442 combat missions, and was awarded the Knight's Cross with Oak Leaves, Swords and Diamonds. Flying this aircraft, Oblt. Otto Vincent, commander of 2./JG 54, went missing in action on January 4th, 1944, after combat with Il-2s. The aircraft wore an unusual upper wing camouflage, seen on some of the aircraft produced by the AGO works plant in Oschersleben.

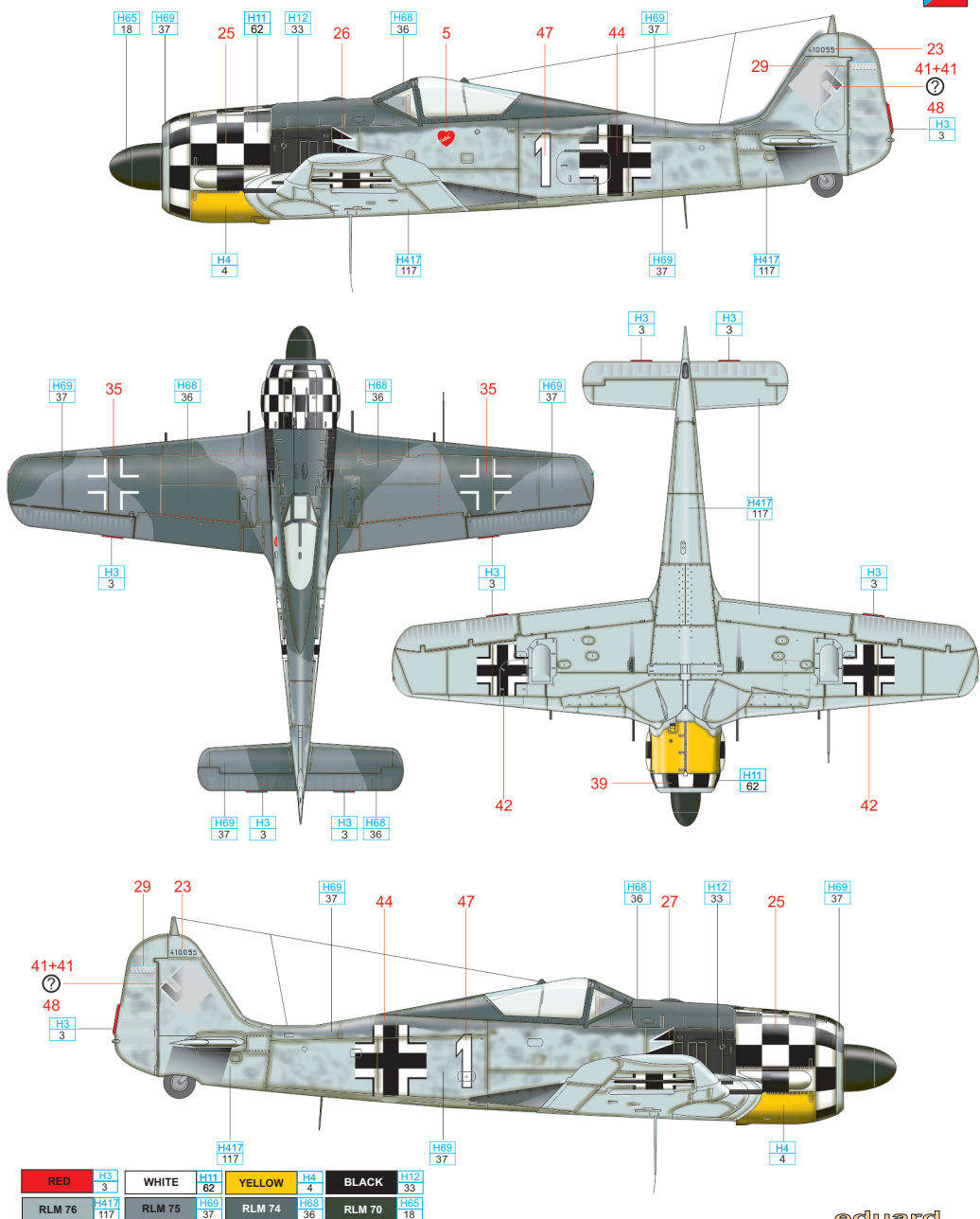
ČESKOU VERZI TEXTU NALEZNETE NA www.eduard.com/s/70116



C W.Nr. 410055, Flown by Uffz. Bernhard Kunze, 2./JG 1, The Netherlands, October, 1943

The black-white checker pattern appeared on aircraft flown by I./JG 1 for a short period in 1943. As depicted, the aircraft was flown between October 4 and October 17 when Kunze achieved his sixth and seventh kills, both B-17s. Bernhard Kunze is credited with nine kills in total – seven B-17s, one P-47 and one B-24. He died on January 5, 1944 when downed by friendly AA fire during a combat mission against US four-engined bombers...just three days prior to his son's birth.

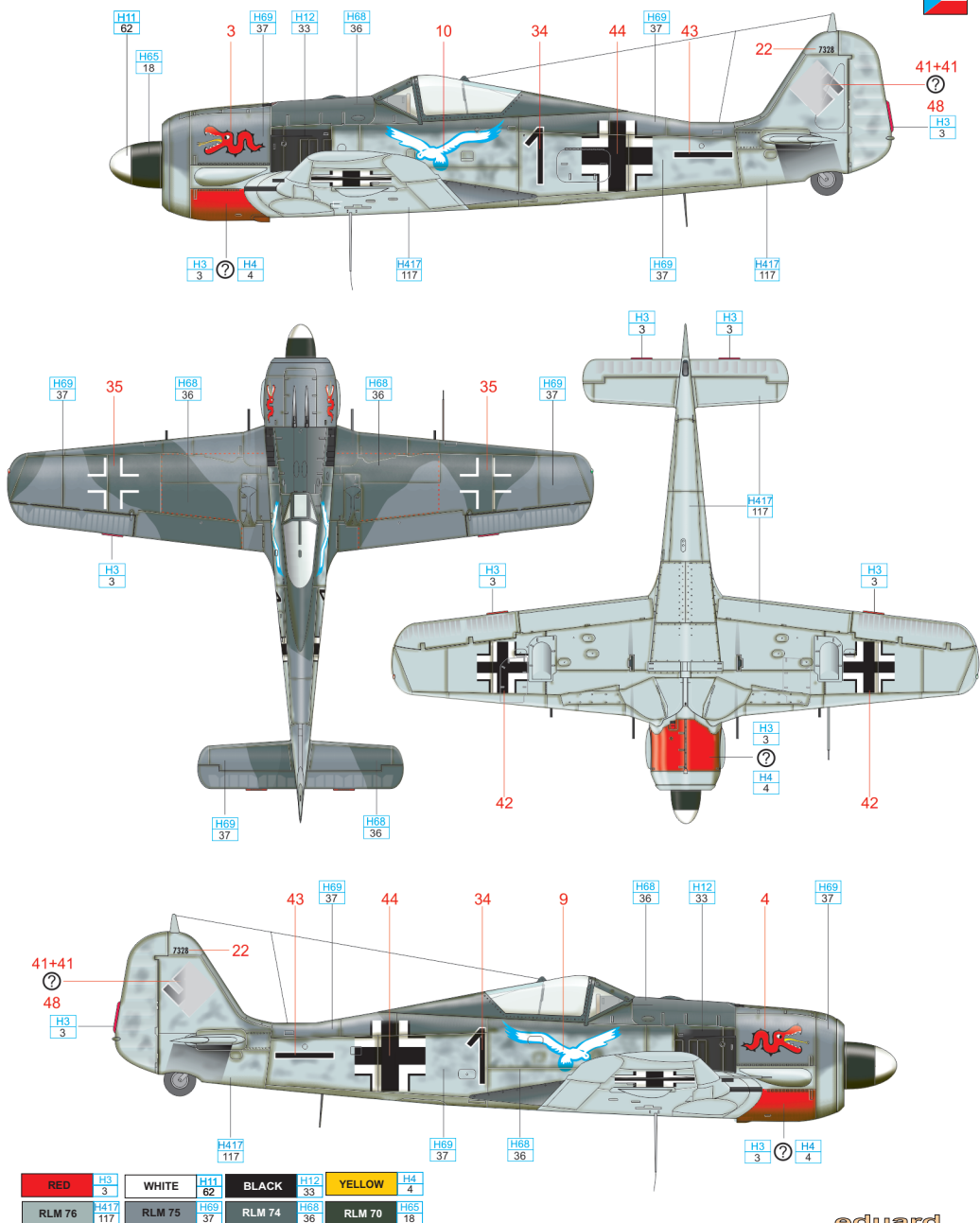
ČESKOU VERZI TEXTU NALEZNETE NA
www.eduard.com/s/70116



D W.Nr. 7328, Flown by Hptm. Dietrich Wickop, CO of II./JG 1, Woensdrecht, The Netherlands, May, 1943

Dietrich Wickop led the II. Gruppe of JG 1 for roughly a month, from April 17, 1943 until his death on May 16. He is credited with 13 kills. On May, 3, 1943, he took part in a combat mission against RNZAF No. 487 Squadron Venturas that hit a power station in Amsterdam. All but one were downed and Wickop himself destroyed two Venturas. The personal marking – a bird – was based on a similar marking used by Max Buchholz. Tatzelwurm, depicting a mythical alpine creature, and on the cowl there was also the II./JG 1 crest.

ČESKOÚ VERZI TEXTU NALEZNETE NA www.eduard.com/s/70116



E Hptm. Egon Mayer, CO of III./JG 2 Richthofen, France, Spring 1943

Egon Mayer spent his entire military career with JG 2, starting in 1939. He was especially successful during the RAF summer offensive in 1941, as well as throughout the spring of 1942. He took over command of III./JG 2 in November, 1942, and became a pioneer in the development of the fight against four-engined heavy bombers. He was Kommodore (Wing Commander) of JG 2 from July, 1943. He was killed in action in a dogfight with P-47D Thunderbolts on March 2nd, 1944 over Montmedy. In early February, 1944, he reached the 100 aerial victory mark, the first to do so on the Western (Channel) Front. He flew 353 combat missions, gaining 102 air to air victories, and was awarded the Knight's Cross with Oak Leaves and Swords. Lt. Hans-Werner Zajonz of 9./JG 2 was shot down during combat with heavy bombers in this machine on June 28th, 1943.

ČESKOU VERZI TEXTU NALEZNETE NA www.eduard.com/s/70116

