

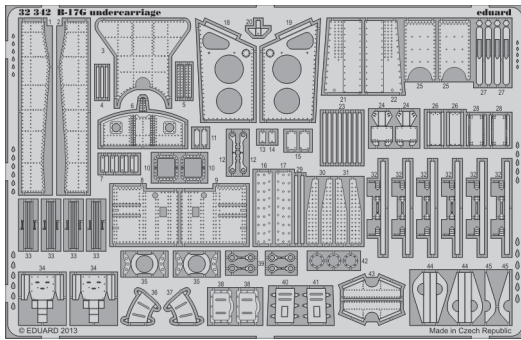


B-17G undercarriage

1/32 scale detail set for HK Models kit • sada detailů pro model 1/32 HK Models

eduard

32 342



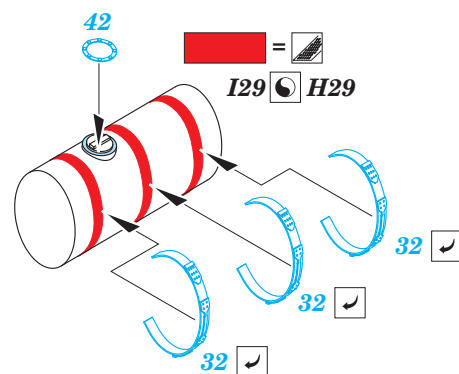
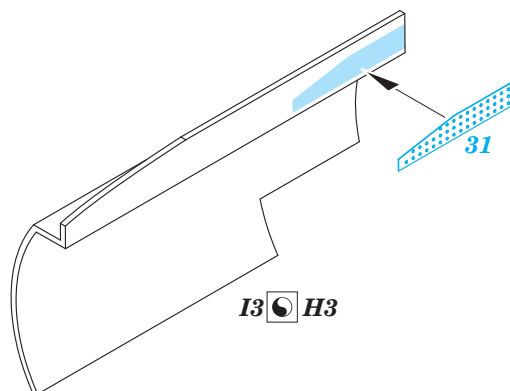
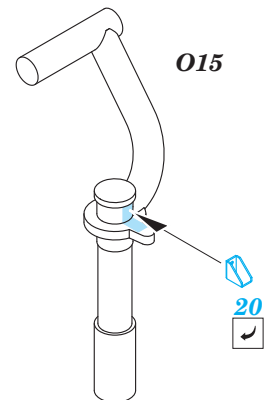
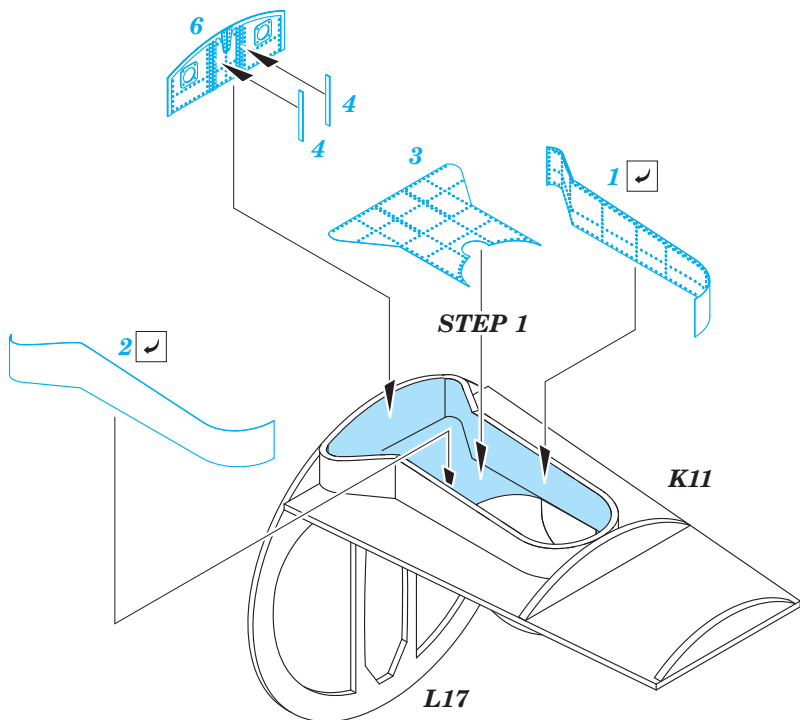
- APPLY EXPRESS MASK AND PAINT BEFORE GLUING
POUŽIT EXPRESS MASK NABARVIT PŘED SLEPENÍM
- SYMMETRICAL ASSEMBLY
SYMETRICKÁ MONTÁŽ
- REMOVE
ODSTRANIT
- GRIND
OBROUSIT
- DRILL HOLE
VRTAT OTVOR
- COLORED ETCHED PARTS
LEPTANÉ BAREVNÉ DÍLY
- BEND
OHNOUT
- OPTION
VOLBA
- REPLACE
NAHRADIT

ORIGINAL KIT PARTS
PŮVODNÍ DÍLY STAVEBNICE

PHOTO-ETCHED PARTS
LEPTANÉ DÍLY

PARTS TO BE REMOVED
DÍLY K ODSTRANĚNÍ

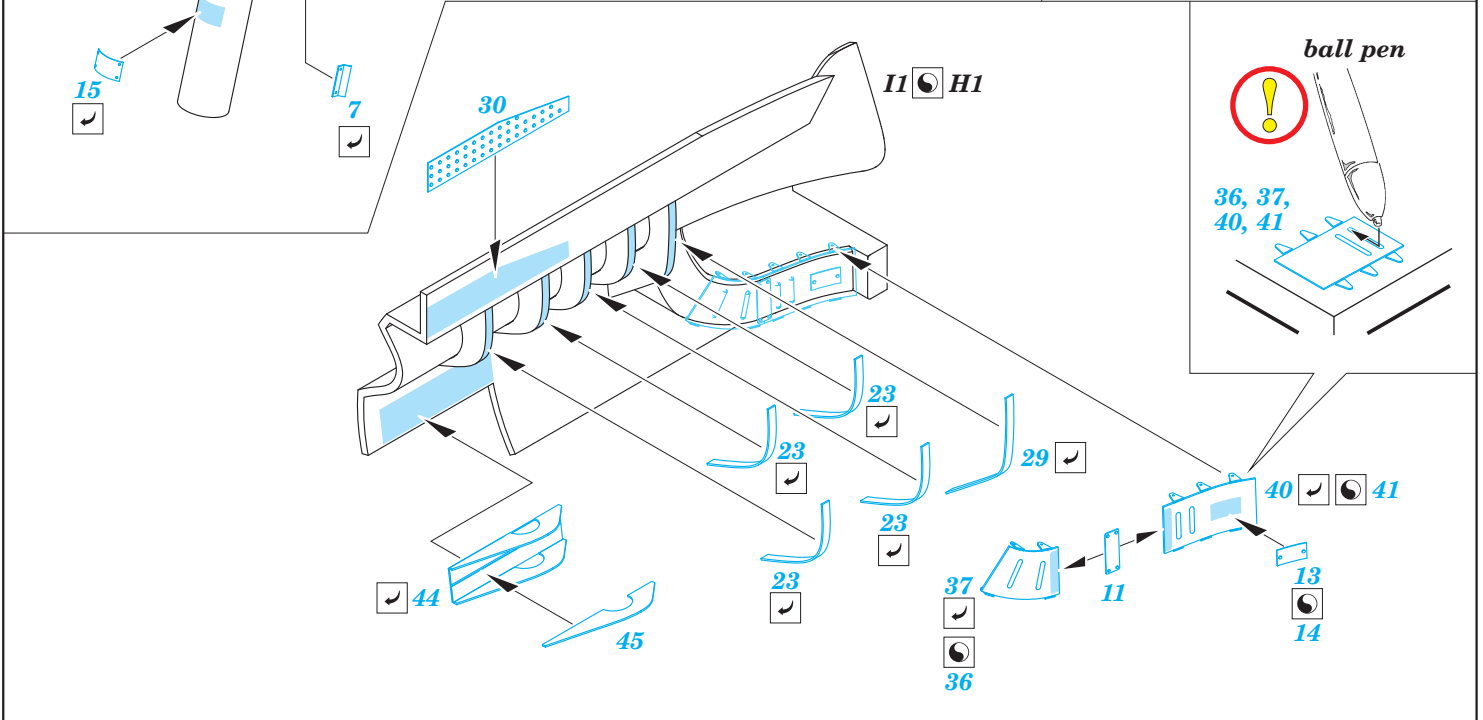
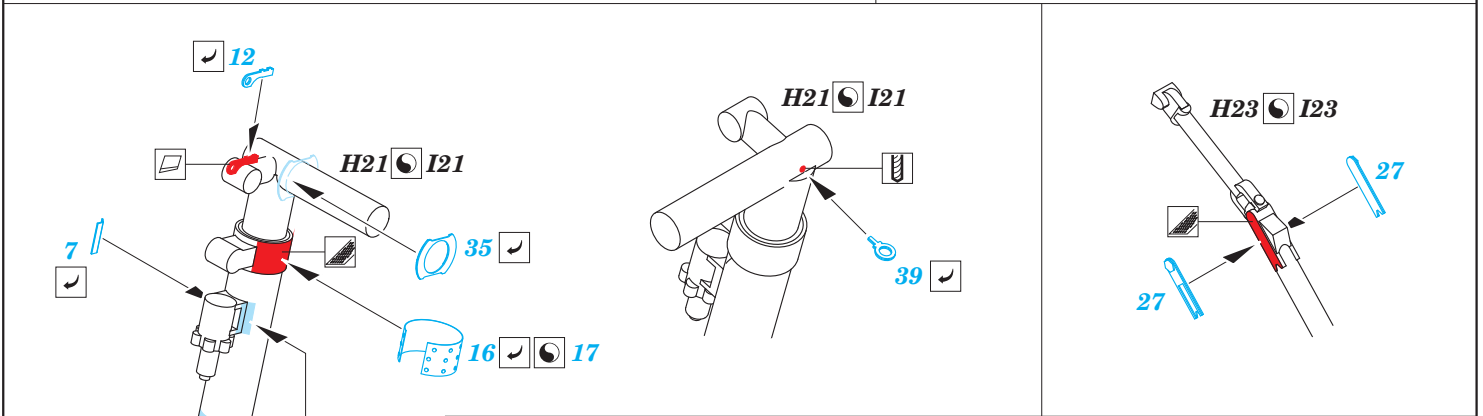
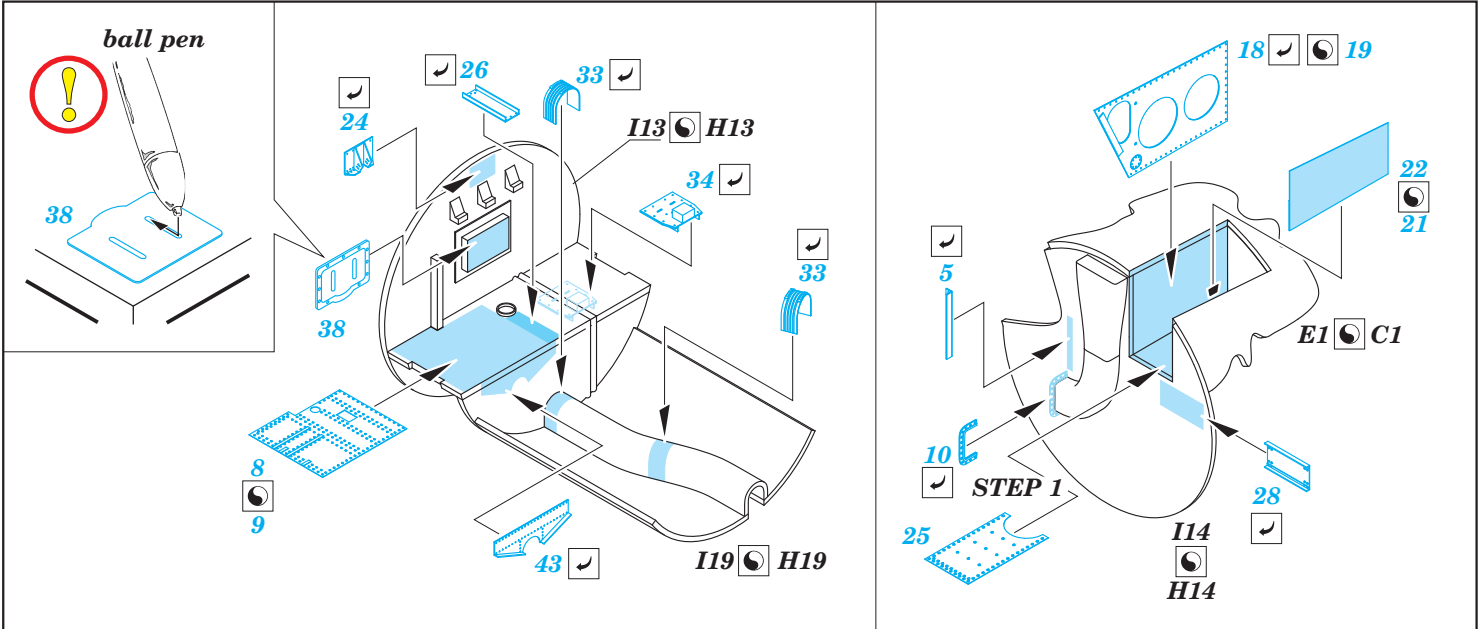
FILL
TMELIT



For further detail sets look for **eduard** 32 774 B-17G interior S.A.
(not included in this set)

For further detail sets look for **eduard** 32 775 B-17G front interior S.A.
(not included in this set)

For further detail sets look for **eduard** 32 764 B-17G seatbelts
(not included in this set)



*For further detail sets look for **eduard** 32 338 B-17G engine (not included in this set)*

*For further detail sets look for **eduard** 32 779 B-17G radio compactment (not included in this set)*

*For further detail sets look for **eduard** 32 337 B-17G landing flaps (not included in this set)*