

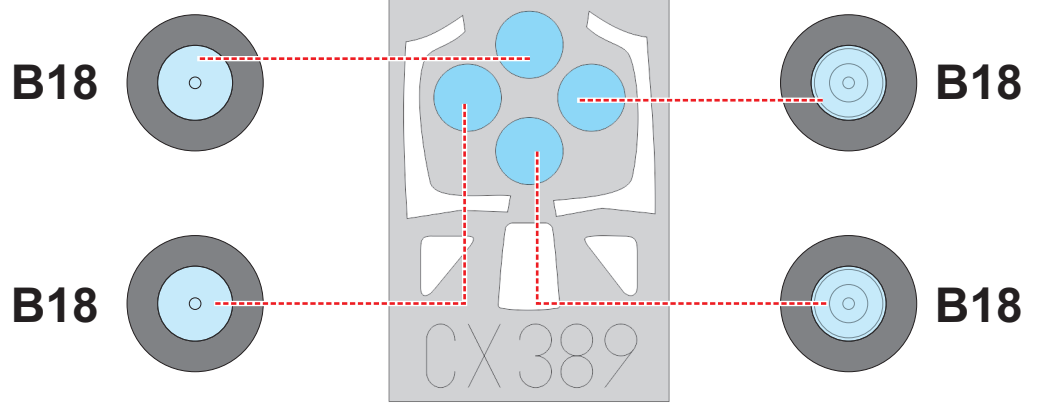
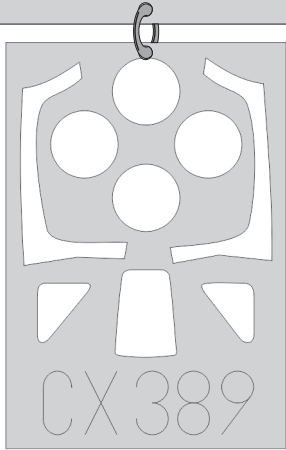
eduard
MASK

CX 389

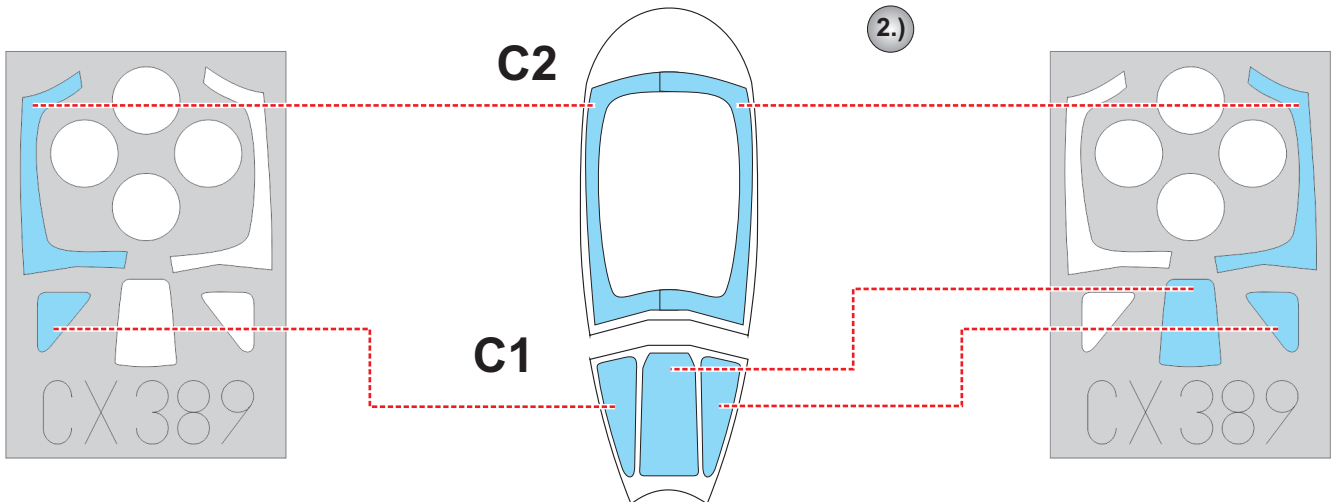
Vampire F.20 1/72

The die-cut mask for accurate canopy frame painting of the
Cyber Hobby scale 1/72 KIT

1.)

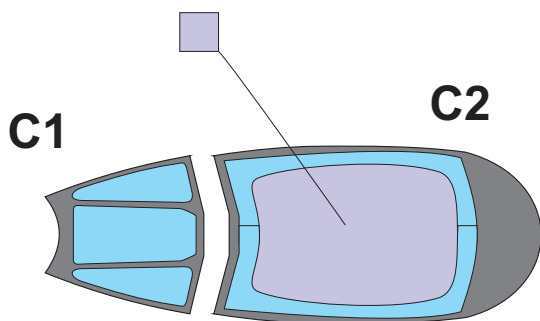


2.)



3.)

LIQUID MASK



4.)

